

SURF[®]

Washbasin and
shower floor system

IC 0 2
NIC 0
AWA 1
RDS 9

INNOVATIVE
ARCHITECTURE

winner



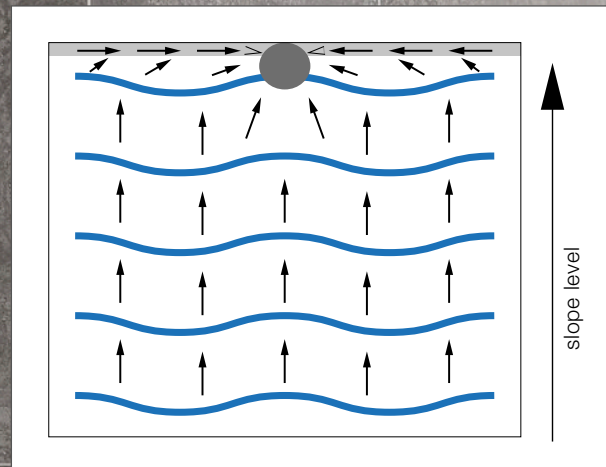
DEUTSCHE  **AGROB BUCHTAL**

Fascinating design and technique *SURF*[®] by Gerloff

Innovative technology offered by the bathroom system specialist Gerloff and high-quality porcelain stoneware tiles by AGROB BUCHTAL give rise to a pioneering product: the washbasin and shower floor system *SURF*[®] by Gerloff. Thanks to its purist design, great variety of materials and innovative drainage technique, *SURF*[®] is predestined for the aesthetically demanding design of modern bathrooms. Whether featuring a cement, wood, concrete or terrazzo look, the system offers plenty of scope for design as washbasins and shower floors can be combined with all tile series and surface finishes. If so desired, the wash-basin and wall tiles can be merged to form a visual unit, whereby the washbasin can be adapted to any installation situation.

The drainage system has been given an entirely new design: a narrow groove of low depth milled into the tile surface with a uniform slope for collecting the water draining off linearly. It empties itself thanks to the capillary effect and channels the water towards the point discharge. The same drainage technique is also integrated in the new jointless shower floor system.

Designed for rapid and simple mounting, the shower floor and washbasin stand out due to their excellent ease of maintenance. The antibacterial **Hytect** technology which eliminates pollutants and creates a healthy indoor climate minimises cleaning of the ceramic surfaces. Both systems are supplied ready for laying.





Washbasin and shower floor system, Streetlife surface finish

Ideal tiles for the design shower

The shower floor in the respective series is available in two variants: as SURF® Basic with metal discharge cover or SURF® Slot with the elegant, practically invisible tile discharge cover. The drain technology is integrated ready-installed in the tile.



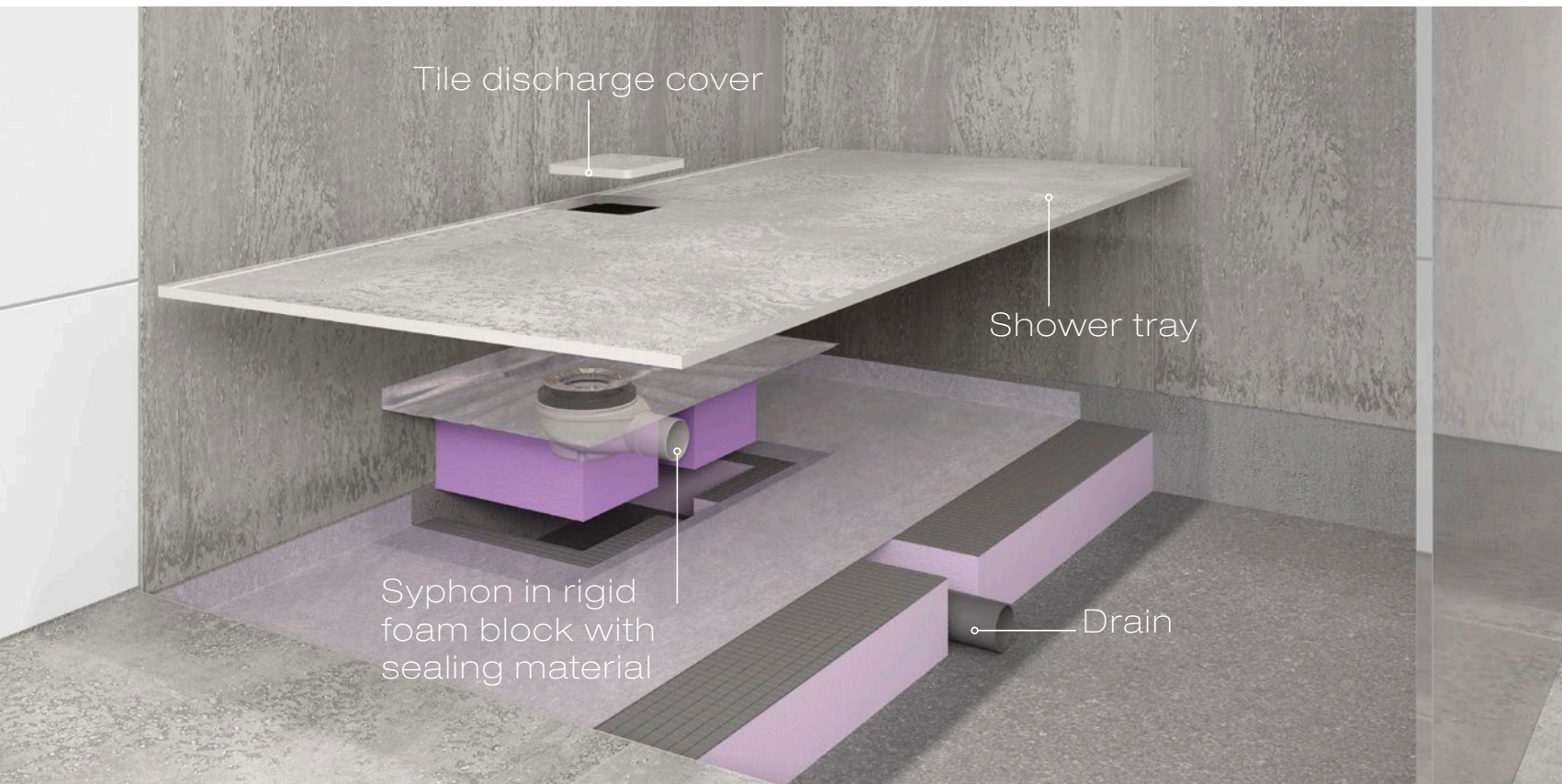
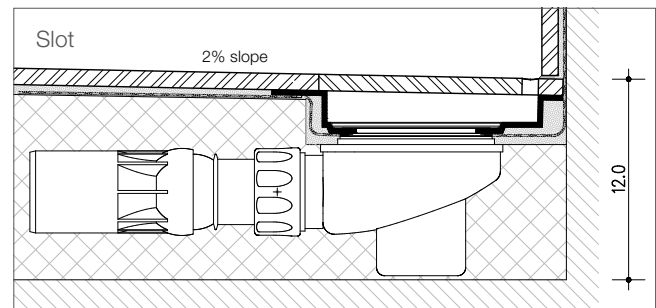
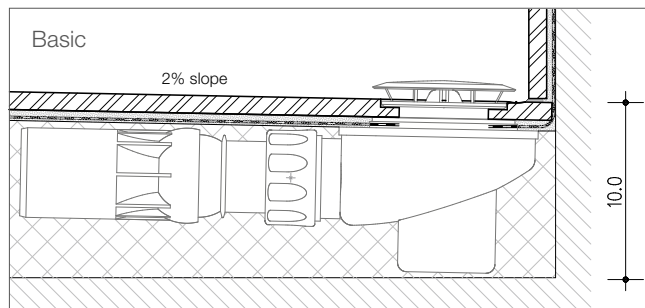
Shower floor system Basic with metal discharge cover



Shower floor system Slot with tile discharge cover

Attractive and practical

- » Minimalist design
- » Various surface finishes
- » Jointless
- » Easy-clean
- » Syphon screwed watertight to the tile
- » Inexpensive
- » Fast and easy installation





Twin
**R10/B



Driftwood
R10/A



Savona
R10/A



Nova
R10/A

**more designs in R10/B on request



Surface finish Toblin

Shower floor SURF®

Basic 60 x 120 cm
Streetlife 8822DTB
Savona, Oak, Driftwood, Twin, Nova, Toblin, Quarzit*

Slot 60 x 120 cm
Streetlife 8822DTL
Savona, Oak, Driftwood, Twin, Nova, Toblin, Quarzit*

Note: The shower floor is supplied inclusive of the syphon in the rigid foam block with sealing material and discharge cover.

*available on request



Permanent **Hytect** technology

- effective against mould and bacteria
- extremely easy to clean
- creates a healthy indoor environment

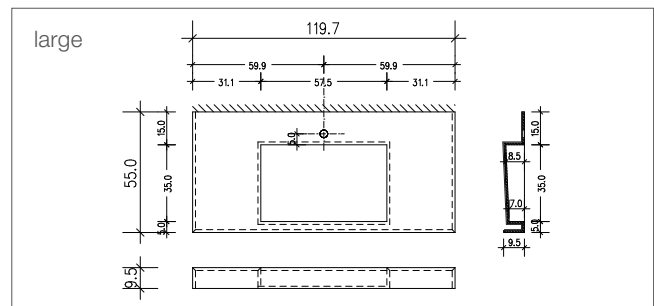
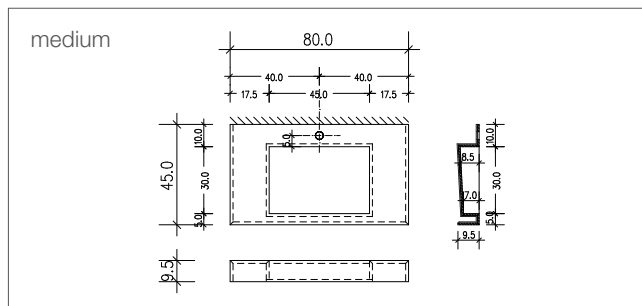
Savona			
Streetlife			
Quarzit			
Driftwood			
Oak			
Twin			
Nova			

The aesthetic tile washbasin

The monolithic washbasin SURF® is available in two sizes: medium and large. By selecting the corresponding surface finishes and combining with matching large-format wall tiles, the washbasin and wall can be designed to form a visual unit.

Elegant and versatile

- » Consistently purist design
- » Various surface finishes
- » Suitable for any installation situation
- » Inexpensive
- » Connection to all standard drain valves
- » Easy-clean
- » Jointless
- » Fast and easy installation





Streetlife



Driftwood



Savona



Nova



Surface finish Streetlife

Washbasin SURF®

medium 45 x 80 cm

Streetlife 8822WTB

Savona, Oak, Driftwood, Twin, Nova, Toblin, Quarzit*

large 55 x 120 cm

Streetlife 8822WTL

Savona, Oak, Driftwood, Twin, Nova, Toblin, Quarzit*

Note: The shower floor is supplied inclusive of the syphon in the rigid foam block with sealing material and discharge cover.

*available on request



Permanent **Hytect** technology

- effective against mould and bacteria
- extremely easy to clean
- creates a healthy indoor environment

Savona	
Streetlife	
Quarzit	
Driftwood	
Oak	
Twin	
Nova	

AGROB BUCHTAL GmbH
Buchtal 1
D-92521 Schwarzenfeld
Tel.: +49 (0) 94 35-391-0
Fax: +49 (0) 94 35-391-34 52
E-mail: agrob-buchtal@deutsche-steinzeug.de
Internet: www.agrob-buchtal.de

www.assenmacher.net



The publisher does not accept any liability for printing errors.
Colour deviations from original products may arise for technical printing reasons.

08/2019, Subject to changes